

Fan Coils

Valve packages general data: V-B7M

Zehnder Rittling Console and High Capacity Fan Coils have standard valve packages available as a factory built assembly and field-installed option for the main cooling coil and optional heating coil. Vertical Hi-Stack Fan Coils are the exception where all valve packages are factory installed. All valve packages are manufactured within strict tolerances and are hydrostatically tested for leaks. All cooling piping and components are located directly above the drain pan to allow condensate to be captured and properly drained. Insulation of the factory valve package is not required. However, all field connections downstream of the valve package should be insulated.

Valve package components

Zehnder Rittling valve packages consist of a variety of components and selection of each combination is dependent upon the application. The following sections provide a detailed description of each of the components. Following this section are additional schematic illustrations and mechanical specifications and photos.

Interconnecting piping

Interconnecting piping refers to the copper piping which is attached to the coil connections and to which all other components (i.e. control valves, end valves, circuit setters, etc.) are attached. Piping is 1/2" nominal (5/8" OD) copper.

Basic valve package

The basic valve package includes only the main components of the valve package (i.e. interconnecting piping, control valves, and end valves).

All valve package components are solder end connections.

Each basic valve package includes a ball valve for the supply water pipe and one of the following end valves on the return water pipe; ball valve, manual circuit setter, or automatic circuit setter. These valves serve as the field connection points on all of the Zehnder Rittling valve packages. Consult the factory for inclusion of the other types of valves as end valves.

Ball valves

Ball valves, also known as end valves, allow the unit to be cut off for servicing purposes. They have a low resistance to water flow, operate easily, and are often used for water balancing. These valves have a compact handle that rotates 90 degrees to a fully open position. The valve body is forged brass and the ball is polished brass with virgin Teflon seats and seals. Ball valves are available as end valves on both the supply and return water pipes.

Part	Material
Body	Forged brass
Ball	Brass, chrome plated
Seat	PTFE
Stem	Brass
Seals	Viton

Temperature	325 °F maximum
Working pressure	600 PSI

Balance valve

The balance valve body is constructed of bronze and is used to balance hydronic circuits.

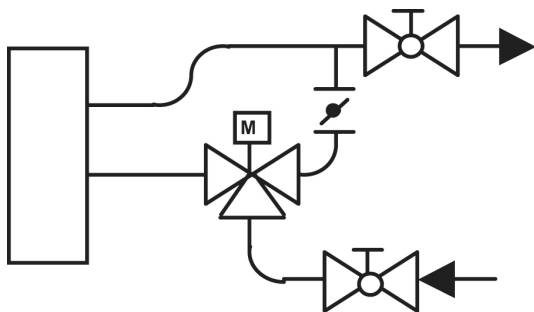
Part	Material
Body	Bronze
O-Ring	EPDM

3-way modulating valve

These 1/2", 24V valves modulate the flow of water (0-100%) through the coil in response to a signal from the controller and are normally closed to the coil as standard. Three-way valves allow the water supply from the water supply pipe to mix with bypass water from the bypass line. This mixture exits through the supply water pipe to the coil. Modulating three-wire floating type valves are compatible with any 24V three-wire signal when three-minute time-out logic resides in the system controller. Modulating proportional type valves are compatible with any 0 to 10 Vdc or 4 to 20 mA signal with jumper selectable operating range and action resulting in precise positioning. All valves feature a magnetic clutch to extend the life of the motor and gear train, manual operating lever/position indicator facilitates field setup, and easy to use lever terminal blocks. These valves are located in the water supply pipe, have a C_v of 4.0, and close off DP of 50 PSI.

Part	Material
Body	Forged brass
Stem	Nickel plated/chrome plated brass
Seat	Brass
Paddle/plug	High temperature thermoplastic/rubber
Actuator	High temperature plastic

Temperature	200 °F maximum
Working pressure	300 PSI



Fan Coils

Valve packages general data: V-B8M

Zehnder Rittling Console and High Capacity Fan Coils have standard valve packages available as a factory built assembly and field-installed option for the main cooling coil and optional heating coil. Vertical Hi-Stack Fan Coils are the exception where all valve packages are factory installed. All valve packages are manufactured within strict tolerances and are hydrostatically tested for leaks. All cooling piping and components are located directly above the drain pan to allow condensate to be captured and properly drained. Insulation of the factory valve package is not required. However, all field connections downstream of the valve package should be insulated.

Valve package components

Zehnder Rittling valve packages consist of a variety of components and selection of each combination is dependent upon the application. The following sections provide a detailed description of each of the components. Following this section are additional schematic illustrations and mechanical specifications and photos.

Interconnecting piping

Interconnecting piping refers to the copper piping which is attached to the coil connections and to which all other components (i.e. control valves, end valves, circuit setters, etc.) are attached. Piping is 1/2" nominal (5/8" OD) copper.

Basic valve package

The basic valve package includes only the main components of the valve package (i.e. interconnecting piping, control valves, and end valves).

All valve package components are solder end connections.

Each basic valve package includes a ball valve for the supply water pipe and one of the following end valves on the return water pipe; ball valve, manual circuit setter, or automatic circuit setter. These valves serve as the field connection points on all of the Zehnder Rittling valve packages. Consult the factory for inclusion of the other types of valves as end valves.

Ball valve

Ball valves, also known as end valves, allow the unit to be cut off for servicing purposes. They have a low resistance to water flow, operate easily, and are often used for water balancing. These valves have a compact handle that rotates 90 degrees to a fully open position. The valve body is forged brass and the ball is polished brass with virgin Teflon seats and seals. Ball valves are available as end valves on both the supply and return water pipes.

Part	Material
Body	Forged brass
Ball	Brass, chrome plated
Seat	PTFE
Stem	Brass
Seals	Viton

Temperature	325 °F maximum
Working pressure	600 PSI

Balance valve

The balance valve body is constructed of bronze and is used to balance hydronic circuits.

Part	Material
Body	Bronze
O-Ring	EPDM

Manual circuit setter

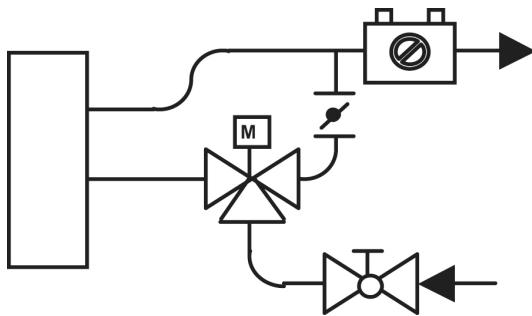
A manual circuit setter, also known as a manual flow control valve, acts as both a flow setting device and a stop valve, taking the place of a ball valve. This valve allows water flow through the fan coil unit and can be set quickly and accurately. The manual circuit setter includes two measuring ports in the valve body to be used for pressure drop measurements during system balancing. This pressure drop can be compared to factory supplied curves showing the corresponding flow rate. This valve shall have a 360 degree turn handwheel with memory feature including a locking feature for tamperproof setting.

Part	Material
Body	Nonferrous copper alloy
Spindle	Nonferrous copper alloy
Seat	Bronze
Probe seals	EPDM
Handwheel	Red mylar
Temperature	250 °F maximum
Working pressure	250 PSI

3-way modulating valve

These 1/2", 24V valves modulate the flow of water (0-100%) through the coil in response to a signal from the controller and are normally closed to the coil as standard. 3-way valves allow the water supply from the water supply pipe to mix with bypass water from the bypass line. This mixture exits through the supply water pipe to the coil. Modulating three-wire floating type valves are compatible with any 24V three-wire signal when three-minute time-out logic resides in the system controller. Modulating proportional type valves are compatible with any 0 to 10 Vdc or 4 to 20 mA signal with jumper selectable operating range and action resulting in precise positioning. All valves feature a magnetic clutch to extend the life of the motor and gear train, manual operating lever/position indicator facilitates field setup, and easy to use lever terminal blocks. These valves are located in the water supply pipe, have a C_v of 4.0, and close off DP of 50 PSI.

Part	Material
Body	Forged brass
Stem	Nickel plated/chrome plated brass
Seat	Brass
Paddle/plug	High temperature thermoplastic/rubber
Actuator	High temperature plastic
Temperature	200 °F maximum
Working pressure	300 PSI



Fan Coils

Valve packages general data: V-B9M

Zehnder Rittling Console and High Capacity Fan Coils have standard valve packages available as a factory built assembly and field-installed option for the main cooling coil and optional heating coil. Vertical Hi-Stack Fan Coils are the exception where all valve packages are factory installed. All valve packages are manufactured within strict tolerances and are hydrostatically tested for leaks. All cooling piping and components are located directly above the drain pan to allow condensate to be captured and properly drained. Insulation of the factory valve package is not required. However, all field connections downstream of the valve package should be insulated.

Valve package components

Zehnder Rittling valve packages consist of a variety of components and selection of each combination is dependent upon the application. The following sections provide a detailed description of each of the components. Following this section are additional schematic illustrations and mechanical specifications and photos.

Interconnecting piping

Interconnecting piping refers to the copper piping which is attached to the coil connections and to which all other components (i.e. control valves, end valves, circuit setters, etc.) are attached. Piping is 1/2" nominal (5/8" OD) copper.

Basic valve package

The basic valve package includes only the main components of the valve package (i.e. interconnecting piping, control valves, and end valves).

All valve package components are solder end connections.

Each basic valve package includes a ball valve for the supply water pipe and one of the following end valves on the return water pipe; ball valve, manual circuit setter, or automatic circuit setter. These valves serve as the field connection points on all of the Zehnder Rittling valve packages. Consult the factory for inclusion of the other types of valves as end valves.

Ball valves

Ball valves, also known as end valves, allow the unit to be cut off for servicing purposes. They have a low resistance to water flow, operate easily, and are often used for water balancing. These valves have a compact handle that rotates 90 degrees to a fully open position. The valve body is forged brass and the ball is polished brass with virgin Teflon seats and seals. Ball valves are available as end valves on both the supply and return water pipes.

Part	Material
Body	Forged brass
Ball	Brass, chrome plated
Seat	PTFE
Stem	Brass
Seals	Viton

Temperature	325 °F maximum
Working pressure	600 PSI

Balance valve

The balance valve body is constructed of bronze and is used to balance hydronic circuits.

Part	Material
Body	Bronze
O-Ring	EPDM

Automatic circuit setter

An automatic circuit setter is an automatic flow control device that includes a ball valve cast in the valve body and is located on the return water pipe. The automatic circuit setter consists of a stainless steel/brass flow cartridge and a contoured orifice plate. As the pressure drop increases, the flow cartridge will move into the contoured orifice plate to decrease the flow. This flexing action provides a constant flow, independent of pressure (2-80 PSI), and makes it difficult to clog and resistant to cavitation damage. This valve sets flow through the coil without any action required by a system balancer. The automatic circuit setter includes two measuring ports in the valve body to be used for pressure drop and temperature measurements.

Part	Material
Body	Forged brass
Ball	Brass, chrome plated
Flow cartridge	Stainless steel/brass
Seals	Viton
Ball seal	PTFE
Temperature	325 °F maximum
Working pressure	600 PSI

3-way modulating valve

These 1/2", 24V valves modulate the flow of water (0-100%) through the coil in response to a signal from the controller and are normally closed to the coil as standard. Three-way valves allow the water supply from the water supply pipe to mix with bypass water from the bypass line. This mixture exits through the supply water pipe to the coil. Modulating three-wire floating type valves are compatible with any 24V three-wire signal when three-minute time-out logic resides in the system controller. Modulating proportional type valves are compatible with any 0 to 10 Vdc or 4 to 20 mA signal with jumper selectable operating range and action resulting in precise positioning. All valves feature a magnetic clutch to extend the life of the motor and gear train, manual operating lever/position indicator facilitates field setup, and easy to use lever terminal blocks. These valves are located in the water supply pipe, have a C_v of 4.0, and close off DP of 50 PSI.

Part	Material
Body	Forged brass
Stem	Nickel plated/chrome plated brass
Seat	Brass
Paddle/plug	High temperature thermoplastic/rubber
Actuator	High temperature plastic
Temperature	200 °F maximum
Working pressure	300 PSI

